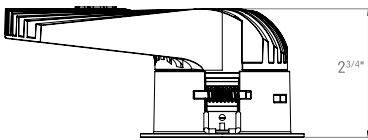


TOP VIEW



FRONT VIEW

Spec-grade performance LED downlights. Optimal for hospitality, commercial, high-end residential and corporate projects.

The Chameleon R3 downlights offer a high output, precise optics, a wide range of mounting options, reflector finishes, and optical accessories.

- Up to 1,000lm delivered output
- Trim mounting option
- High CRI, up to +97 CRI, available upon request
- Dim-to-Warm capability 3000K to 1800K
- Tunable White capability 2700K to 5000K
- Wide Range of optical options
- 5 years limited warranty
- Wide range of trims and reflectors finishes

* Downlight is inherently IC rated per ETL testing to UL1598 standard and can be installed without a housing when specified with Standard Output (11 Watts). LED driver current is factory set at 260mA.

HOUSING SPECS

Code example: **C3-L10R9**

Series	Output	Voltage	Control	Housing	Emergency
C3	L ¹ 9W (535lm)	1 120V	0 Non-Dim	R Remodel	N No
	M ¹ 11W (605lm)	U ⁵ Universal 120V to 277V	1 0-10 to 1%	N Non-IC	9 90 mins
	H ¹ 13W (710lm)		2 0-10 fade-off	I ⁶ IC	
	D ² 8W (470lm)	D Dali	A ⁶ Airtight		
	W ² 12W (705lm)	P Phase ELV & Triac	O No Housing		
	U ³ 8W (560lm)	L Lutron			
	A ³ 12W (795lm)	X DMX			
	C ⁴ 8W (120lm)				

MODULES SPECS

Code example: **C3-R2-SW-WW-S927-0**

Mounting	Trim Color	Ref. Color	IP Rating	Optics Type	LED CRI	LED CCT	Accessories		
C3	R1 Round Trim	S	W White	W Flat White	D Dry	S 12°	9 90	27 2700K	0 No Accessories
	R2 Round Trim with Constant Force Spring		B Black	B Flat Black		W Wet		M 24°	
		S Grey	N Black Nickel		F 36°		35 3500K	D⁸ Diffuse lens	
		X Custom	C Specular Chrome				40 4000K	E⁹ Elliptical Lens	
			D Diffuse Chrome				WD 3000K - 1800K	H Honeycomb Lens	
			G Bright Gold				TW⁷ 2700K - 5000K	S Solite Lens	
		E Diffuse Gold					CC RGBW	M Mixing	

Notes:

- ¹ Denotes output at 3000K, unless otherwise noted.
- ² Denotes output specific to Dim-to-Warm at 3000K.
- ³ Denotes output specific to Tunable White at full on.
- ⁴ Denotes output at White, 3000K.
- ⁵ Not applicable for ELV dimming.
- ⁶ Chicago Plenum rated.
- ⁷ Tunable White available in 0-10V, DMX and DALI.
- ⁸ Diffuse lenses available in different angles.
- ⁹ Elliptical lenses available in different angles.

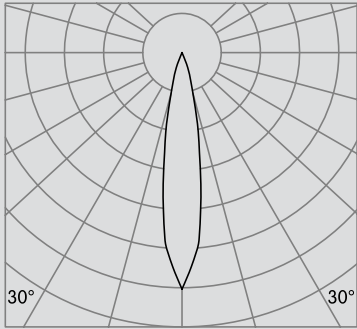
Consult factory for lead-times.
Bold Lighting reserves the right to make technical changes without notice.



OPTICAL FLEXIBILITY

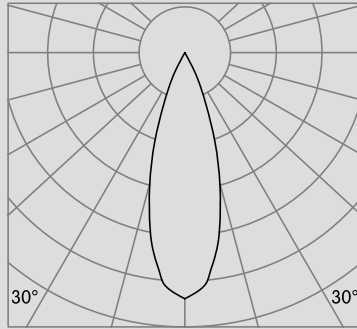
Photometric data: Type C Polar Curves

Narrow Distribution 12°



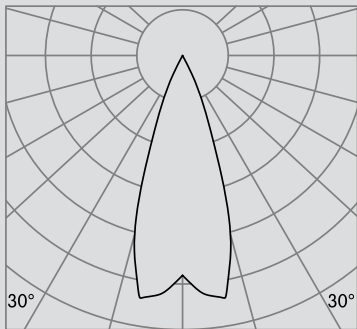
Max. 7,550cd 1,000lm

Medium Distribution 24°



Max. 3,420cd 1,000lm

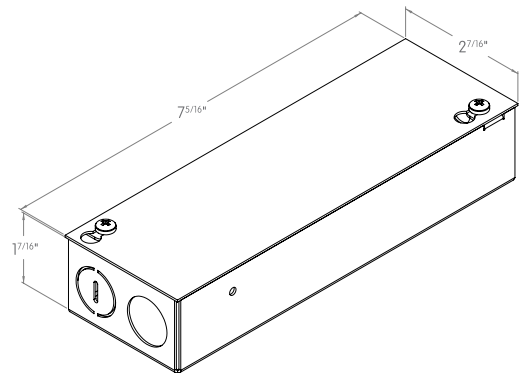
Flood Distribution 36°



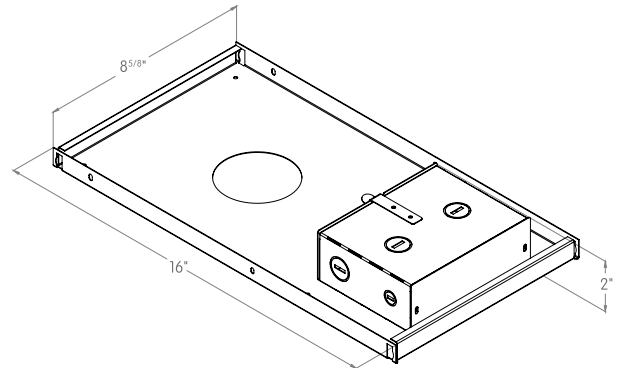
Max. 2,720cd 1,000lm

Notes:
Other beam distribution available on demand.
Please consult factory.

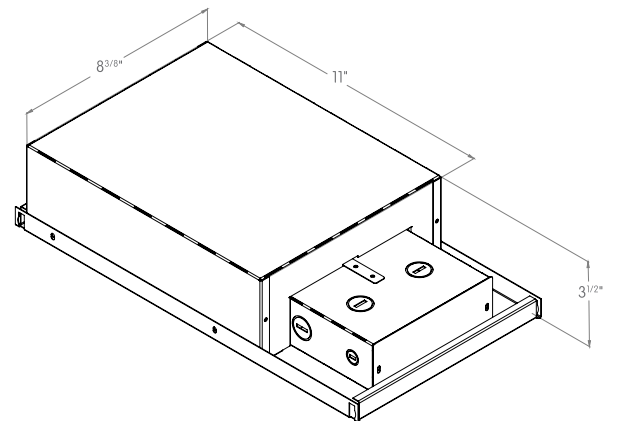
REMODEL HOUSING



NON-IC HOUSING



IC HOUSING & AIRTIGHT



CCC Certified to GB7000



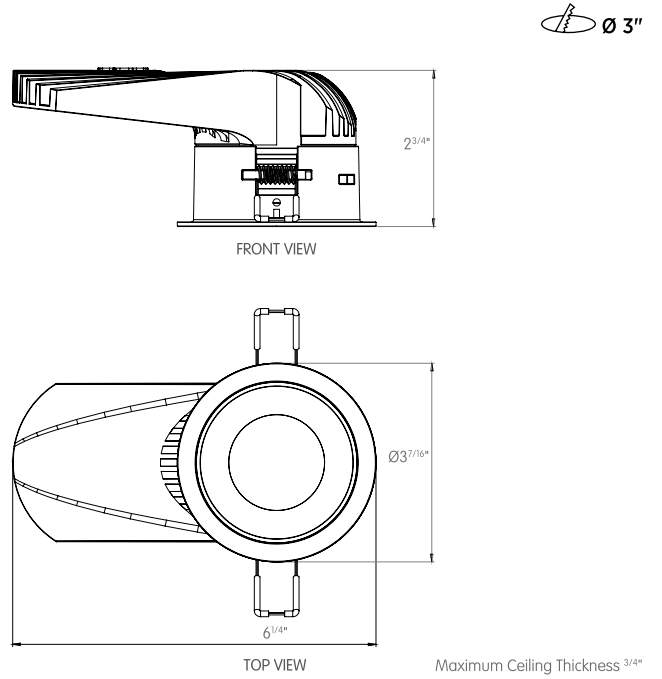
JA8 Certified to Title 24 standards

Bold Lighting

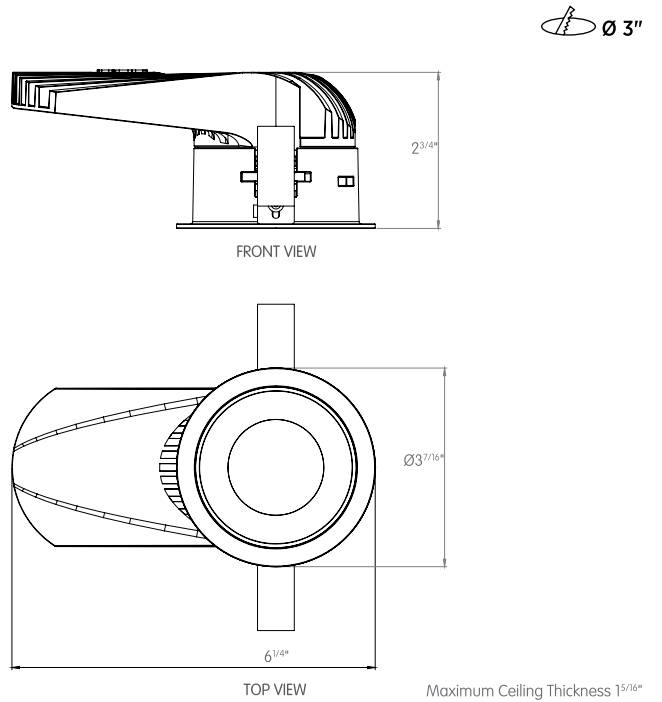
4710 Ecton Dr., Marietta, GA 30066, USA
info@boldlighting.us www.boldlighting.us t: +1-678-903-4061

MOUNTING FLEXIBILITY

TRIM TORSION SPRINGS



TRIM CONSTANT FORCE SPRINGS



CCC Certified
to GB7000



JA8 Certified
to Title 24
standards

DELIVERED LUMEN OUTPUT

Output		Watts				CRI +90				
STATIC-WHITE				2700K			3000K			4000K
L	9W			500lm			535lm			640lm
M	11W			570lm			605lm			785lm
H	13W			675lm			710lm			890lm
DIM-TO-WARM 3000K-1800K						3000K				
D	8W					470lm				
W	12W					705lm				
TUNABLE WHITE 2700K-6500K				2700K						6500K
U	8W			470lm						560lm
A	12W			675lm						795lm
RGBW				R	G	B			W	
L	2W			30lm	160lm	30lm			120lm	
TOTAL	8W									



CCC Certified
to GB7000



JA8 Certified
to Title 24
standards